

Plastic Meter Boxes

- Stronger reinforced design
- UV-stabilized plastic for long life
- Heavy-duty lid design on 1200 series

Most in stock to ship today!

These corrosion-proof plastic meter boxes are specially designed for extra strength and long service life. The 1200 series 12" high rectangular boxes feature a unique double ledge lid support that combines the advantages of a drop-in lid with the strength of an overlapping lid. We've also added 6" extensions to fit the 1200 series boxes—great for deeper pipelines or those last minute grade changes. Special lids to accommodate touch-read pads and AMR transmitters are available.

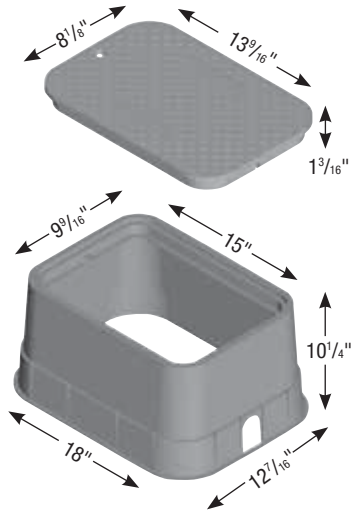
Shipping: Additional shipping fees apply.



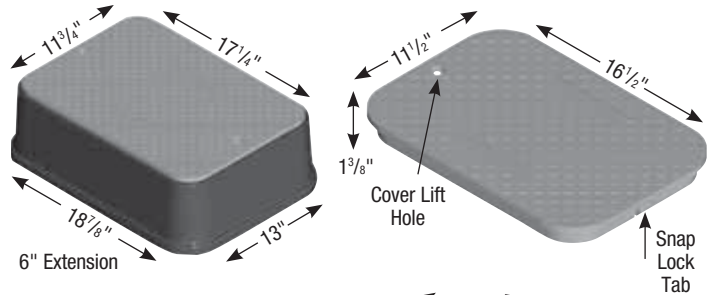
**Call for
pallet pricing**

Series 1000 10" Rectangular Meter Boxes

Economy meter box available with plastic reader. Black. 96 per pallet.

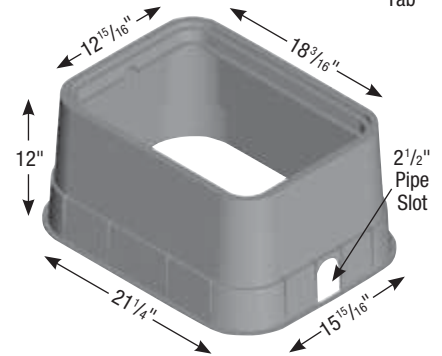


DESCRIPTION	STOCK #	EACH	QTY 10+
SERIES D-1000			
Box Only, D-1000	62040	\$	\$
SERIES 1000 LIDS			
Drop-In, Solid	62042	\$	\$
Drop-In, Plastic Reader	62041		



Series 1200 12" Rectangular Meter Boxes & 6" Extension

Covers available with plastic or cast iron reader. Special lids with read pad hole or AMR transmitter bracket are available. Black. 72 per pallet.



DESCRIPTION	STOCK #	EACH	QTY 10+
SERIES D-1200			
Box Only	62045	\$	\$
6" Extension	62046		
SERIES 1200 LIDS			
Standard Solid Lid	62047	\$	\$
Lid w/ Plastic Reader Door	62048		
Lid w/ Cast Iron Reader Door	62049		
Lid w/ Read Pad Hole	62050		
Lid w/ AMR Bracket	62051		

Series 1500 Jumbo Rectangular Boxes

- Ridge in the middle of the box adds additional support to side walls for a stronger reinforced design
- Skid-resistant texture on lid
- UV-stabilized plastic for long life

These black corrosion-proof plastic meter boxes are specially designed for extra strength and long service life. Their unique double-ledge lid support combines the benefits of a drop-in lid with the strength of an overlapping lid.

Order an optional 6" extension to extend the Series 1500 boxes for deeper pipelines, or for when those last-minute grade changes occur. Lids for touchread pads and AMR transmitters, and sand, green and purple colored lids are available by special order; contact USABlueBook for more information.

Shipping: Additional shipping fees apply.

DESCRIPTION	STOCK #	EACH	QTY 10+
SERIES 1500			
Box Only	27024	\$	\$
6" Extension	27025		
SERIES 1500 LIDS			
Standard Solid Lid	27026	\$	\$
Lid w/ Plastic Reader Door	27027		
Lid w/ Cast-Iron Reader Door	27028		

